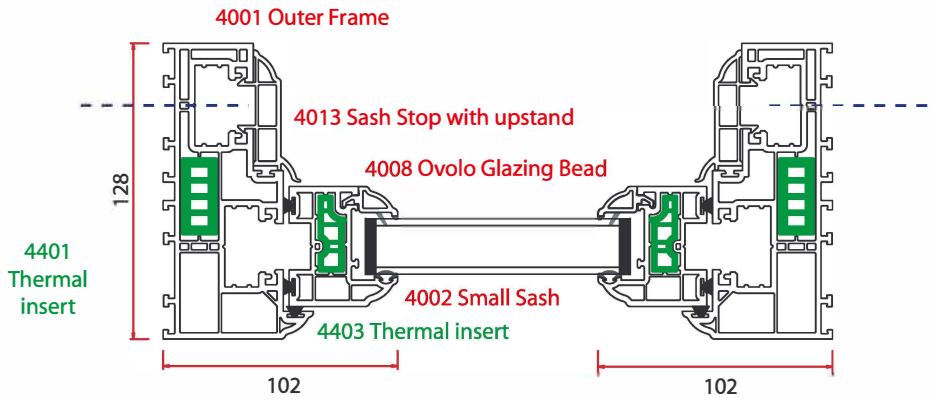
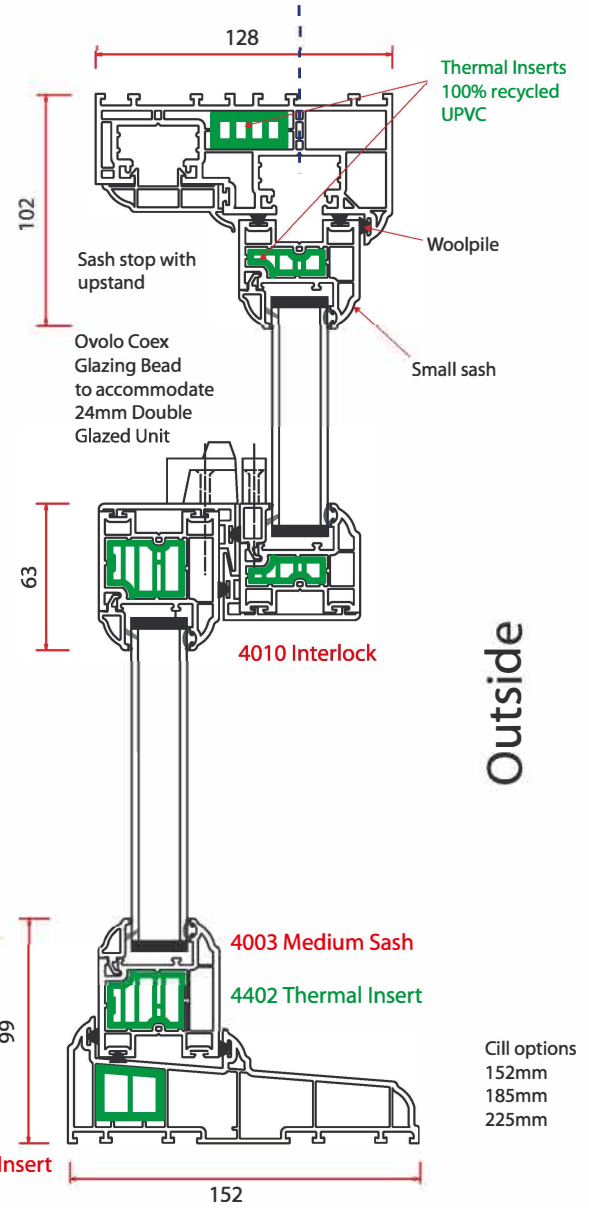


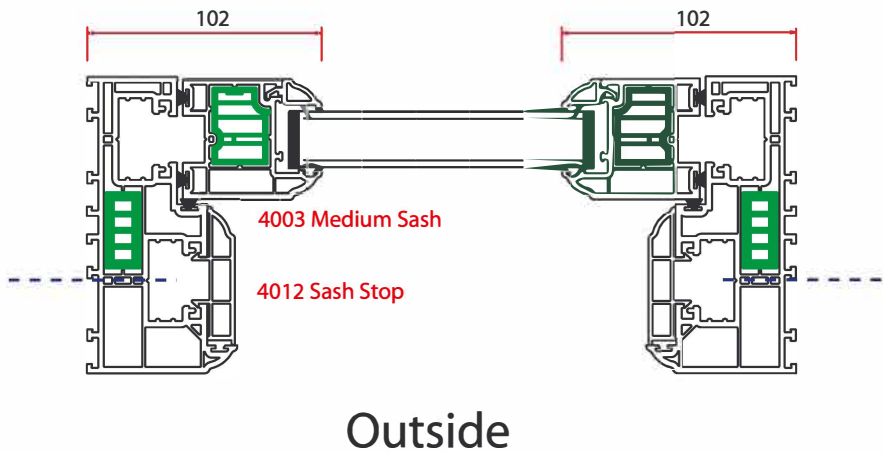
Horizontal section through top sash



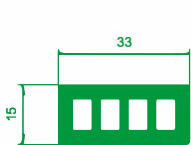
Vertical section through sash



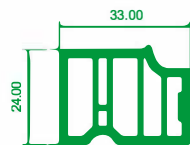
Horizontal section through bottom sash



Note: Thermal inserts (coloured green) are manufactured from 100% recycled PVC-U.



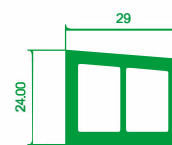
4401 Thermal Insert For 4001 Outer Frame



4402 Thermal Insert For 4003 Medium Sash



4403 Thermal Insert For 4002 Small Sash



4405 Thermal Insert For 4005,4006,4407 cill