

The
Fascia
Place
INFINIGLIDE

Expand Your Horizons

Sales: 01256 635215
www.thefasciaplace.co.uk

Camberley – 01276 65498
Bridgwater – 01278 433799
Guildford – 01483 301666
Ashford – 01784 251199
Petersfield – 01730 891036
Basingstoke – 01256 334829
Newbury – 01635 36519
Lewisham – 0208 314 5905
Brighton – 01273 625050
Dartford – 01322 554418
Portsmouth – 02392 387823
Tunbridge Wells – 01892 524169
Bracknell – 01344 308785
Gillingham – 01634 975557

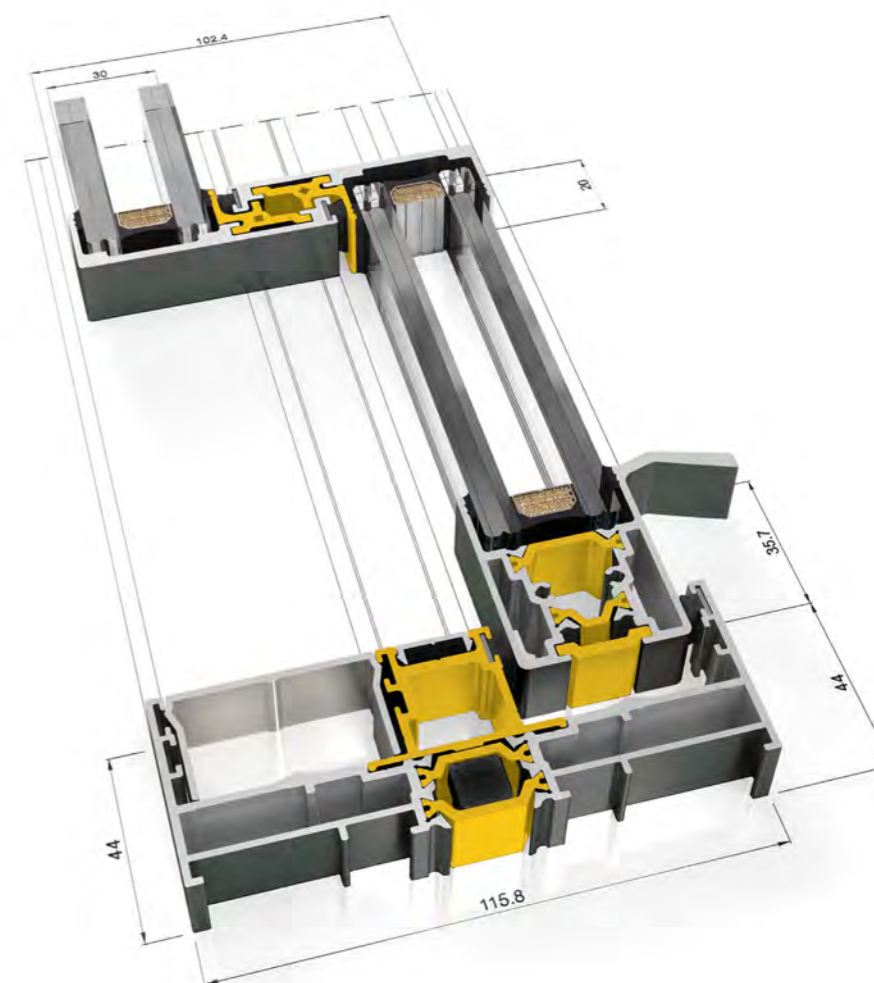
Showroom Locations

Bridgwater
Guildford
Newbury
Lewisham
Bracknell
Tunbridge Wells

INFINIGLIDE



INFINI GLIDE 3



Size Limits

Maximum Panel Width	2500 mm
Maximum Panel Height	3000 mm
Maximum Panel Weight	320 kg

INFINI GLIDE 3

THE ULTRA SLIM NEW MINIMAL SLIDING DOOR WITH A 20MM SIGHTLINE

Every horizon is worth seeing, and now you can enjoy amazing views from the comfort of your home. InfiniGlide 3 is the perfect, ultra slim frame to bring your outdoors inside.

Ultra Slim 20mm Interlock

Up to 2.5m x 3m Per Panel

Fully Concealable Frame & Threshold

3 Tracks & Pocket Door Option

Fully Openable With Glass-To-Glass Corners

Multi-Point Locking

		PERFORMANCE	
THRESHOLD HEIGHT	44 mm	U-VALUE	From 1.3 W/m ² K
GLAZING THICKNESS	26-30 mm	AIR PERMEABILITY	Class 4
GLAZING METHOD	Structurally bonded	WATER TIGHTNESS	Class 7A
MINIMUM SIGHTLINE	20 mm	WIND RESISTANCE	Class C5
FRAME DEPTH	1 RAIL 116 mm	MAXIMUM ACOUSTIC INSULATION	41 dB Rw
FRAME DEPTH	2 RAIL 116 mm	ENHANCED SECURITY	Multi-Point Locking
FRAME DEPTH	3 RAIL 182 mm		