

ALUK[®]

58BW Casement Window

Window Installation Guide



GENERAL INSTALLTION INSTRUCTION

ASSEMBLY INSTRUCTIONS

IMPORTANT. Read these assembly instructions before beginning any installation work. Install as recommended otherwise the door unit may not function properly and any warranty, written or implied, will be void.

QUALIFICATIONS

The assembly instructions are only for the attention of qualified installers who are trained and qualified in window and doors installation techniques, and are aware of the manufacturer's recommendations for the system used.

TRANSPORT AND STORAGE

Parts that could come lose during transportation can be damaged or cause accidents.

All packaging should be opened to allow the goods to be inspected must be closed and properly sealed for further transport.

Any goods that will be further transported must be loaded safely and securely.

INCOMING GOODS

All goods received must be inspected for any transport damage prior to being removed from the vehicle. The goods received must match the delivery note.

Any wet packaging may cause damage to the goods, and therefore must be removed immediately.

SITE SURVEY

It is important to check the conditions on site before starting the assembly.

- Check for any apparent defects and deficiencies around the structural opening. If any defects are found, then the customer must be notified, and agreement reached as to who is responsible for rectifying these defects prior to the new window/door installation.
- Check structural conditions such as the wall construction, the load capacity or adhesiveness of the edges for adhesive sealing systems, evenness, building moisture, a possibility for load transfer and mounting, constructional tolerances and height reference points.
- Check for contractual agreements, supplied assembly detail, planning guidelines, heat protection, humidity proofing, and interferences to other assembly sections.

ATTENTION! The fixing materials are not part of the scope of supply. The installer must decide on which fixing materials to use after assessing the given substructure. If any supplied fixing materials are used. The installer must ensure that the fixing materials are suitable for the respective substructure and that assembly is completed correctly.

HANDOVER

All operating, assembly and adjustment instructions as well as maintenance and care guidelines must be delivered to the user when briefing them. It is essential to train the user on the function of the supplied product and provide instruction on the directions for safety and use. Incorrect operation or failure to observe the instructions may lead to damage and accidents. The customer must store the instructions carefully and hand them over to the new owner in the event of sale.

RECOMMENDED TOOLS

- Appropriate fixings into structural opening.
- Mixed selection of frame packers.
- Mixed selection of glazing packers.
- Glazing Paddle
- Rubber mallet or plastic mallet
- Set of HSS drill bits.
- Drill / SDS hammer drill.
- Saw for cutting aluminium sill.
- Long spirit level
- String line
- Laser Level
- Tape measure
- No.2 Pozi drive
- Gloves
- Vacuum Cups
- Paper Towels
- Utility Knife
- Set Square.
- Window cleaner
- Bucket

Before starting ensure you have all required accessories and supplies

Profile:

- Outer Frame profile
- Sash in frame
- Beads in sash
- Cil if requested
- Bay poles/Corner post if requested

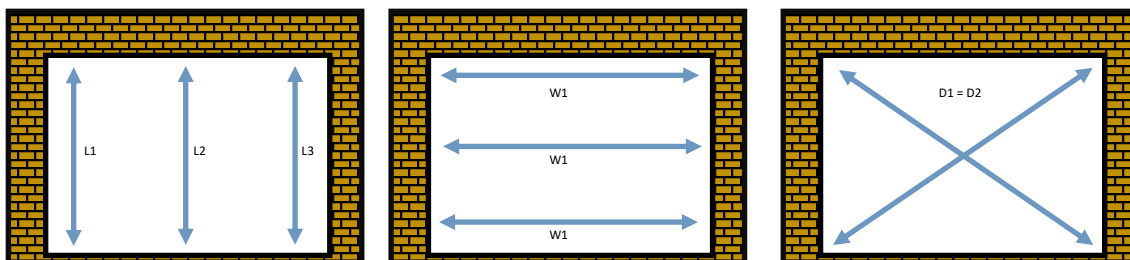
Accessories and Hardware:

- Window handle in sash
- Gasket attached to frame
- Drainage caps
- Cil end caps

1. SITE SURVEY

a. Opening inspection

- The aperture for the new doors must be flat, level, straight, plumb and square at every single side. There should be a solid structure to fix the frame.
- The aperture load bearings must not be transferred to any part of the frame when fitted.
- Prepare the aperture by making sure it is clean.
- Remove any old silicone and brush down the threshold.
- The internal and external reveal sizes should be checked and any variations taken into consideration.
- Check the aperture's height, width and diagonals to ensure the opening is equal on all sides and square.
- Generally three measurements should be taken with the smallest used to determine manufacturing sizes.

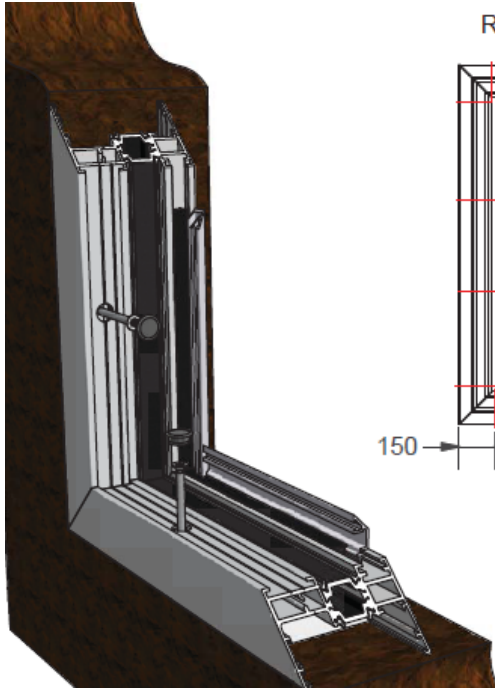


- Use tape measure to verify the aperture overall height and width. Take at least three measurements.
- Smallest height and width measurement will determine the overall frame manufacturing size.
- Verify the aperture is square by measuring and comparing the diagonals.
- If the position of the outside floor level is critical (e.g. if a completely sunken base detail is to be used) repeat this procedure for the external finished floor level, taking into account the final position of tiles, decking, or similar external finishes.

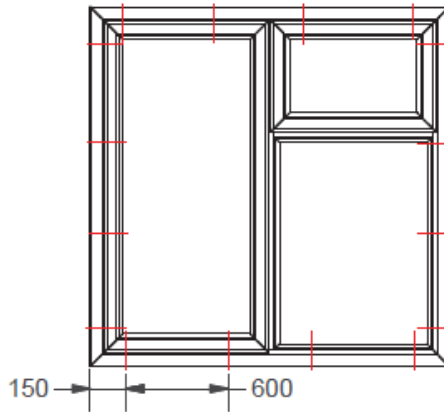
e. Manufacturing sizes

- Allow the aperture to be 10-15 mm wider and 10-15 mm higher than the overall frame size of the ordered unit. It is important that the opening size for new frame is correct.
- The height of the doors is measured from the bottom of the outer-frame and not from the finished floor.

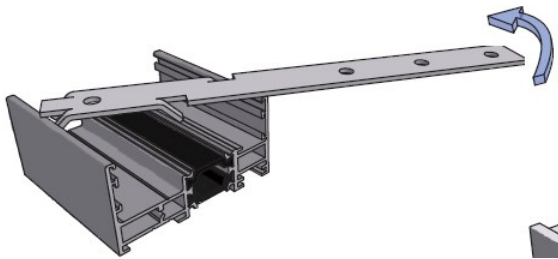
FRAME INSTALLATION



Recommended fixing points



When fixing the direct fix outer frame in place position the window in the aperture and drill 6mm pilot holes around the bead channel 150mm from the corners of the frame and at a maximum of 600mm centres around the frame. Drill a 10mm clearance hole to allow access with a screwdriver. Using the pilot holes drill through to the brick work.

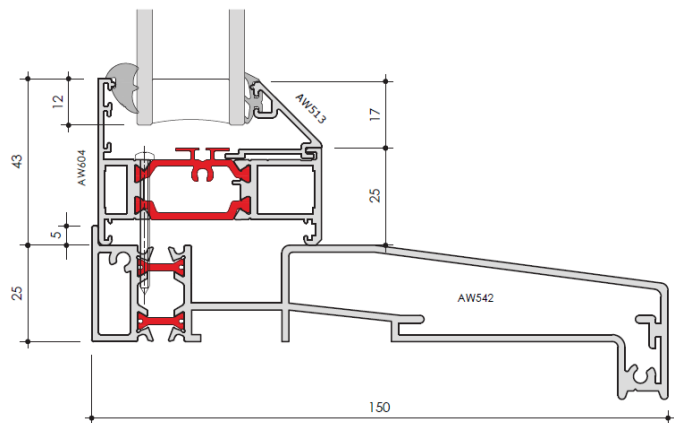
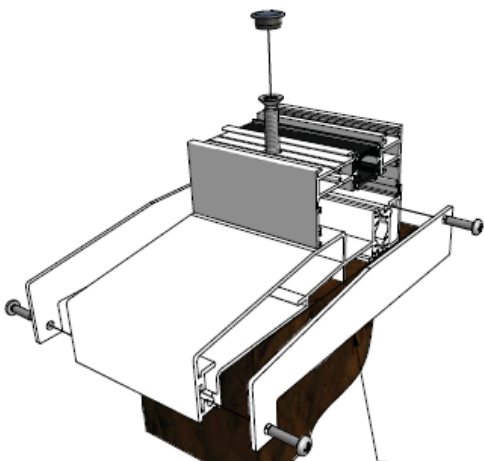


If fixing lugs have been requested, they twist into the outer frame, as seen in the image to the left.

Cil INSTALLATION

When installing windows onto a cill the following steps should be taken:

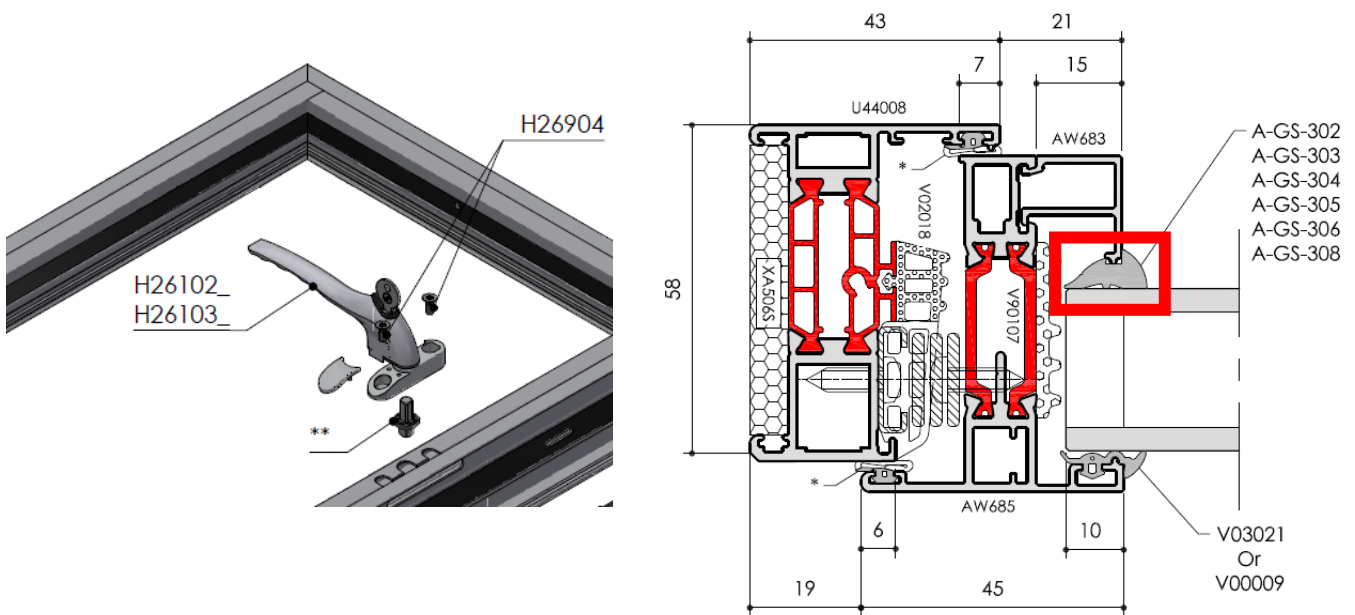
1. Apply a silicone seal along the cut surface of the cill and fit the cill end caps.
2. Apply a silicone seal to the deep channel at each end of the cill ensuring a water tight seal.
3. If fixing the cill to the rebate, drill through the cill in the required position. Prior to fixing into place, apply a good silicone seal to the fixing hole before fitting the screw this will prevent water tracking through to the brickwork at a later stage.
4. Finally run a silicone seal along the rear upstand (rebate) of the cill and



Glass INSTALLATION

The handle is fixed through the bead. In order to glaze the window you must do the following:

- Remove the cover caps and take out the screws.
- Pull handle out.
- Beads snap off when push inwards.
- Install glass and pack where required.
- Insert the beads back in.
- Press wedge gasket (red square highlighted below) between the bead and glass.



Wedging in the gasket can be difficult at times. If you find this is the case, please do the following:

- Soaks gasket in warm water.
- Using window cleaner on the glass to reduce friction.
- Use a glazing paddle you save your finger and thumbs.

Fixed windows by themselves have the gasket in the bead. The Wedge is done internally.

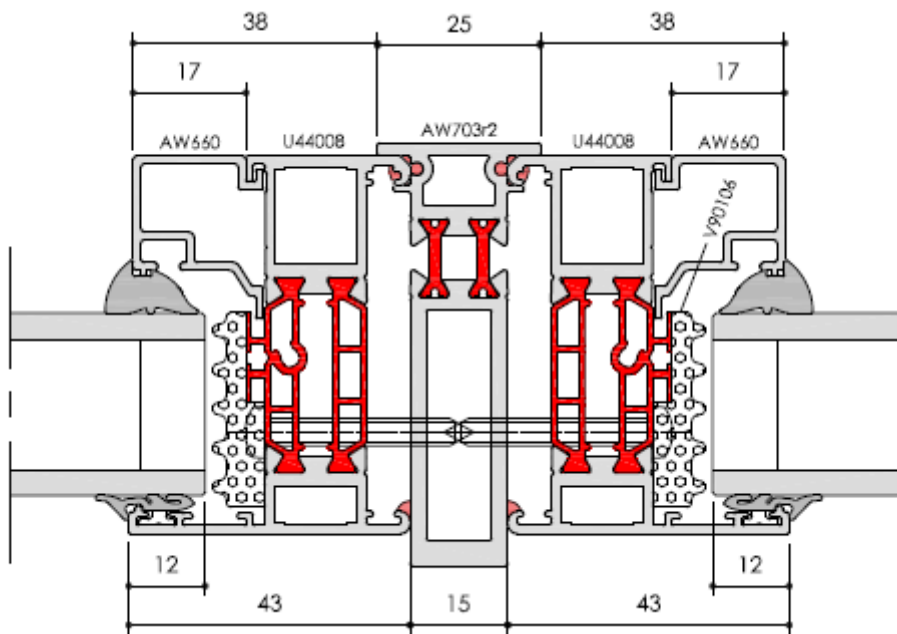
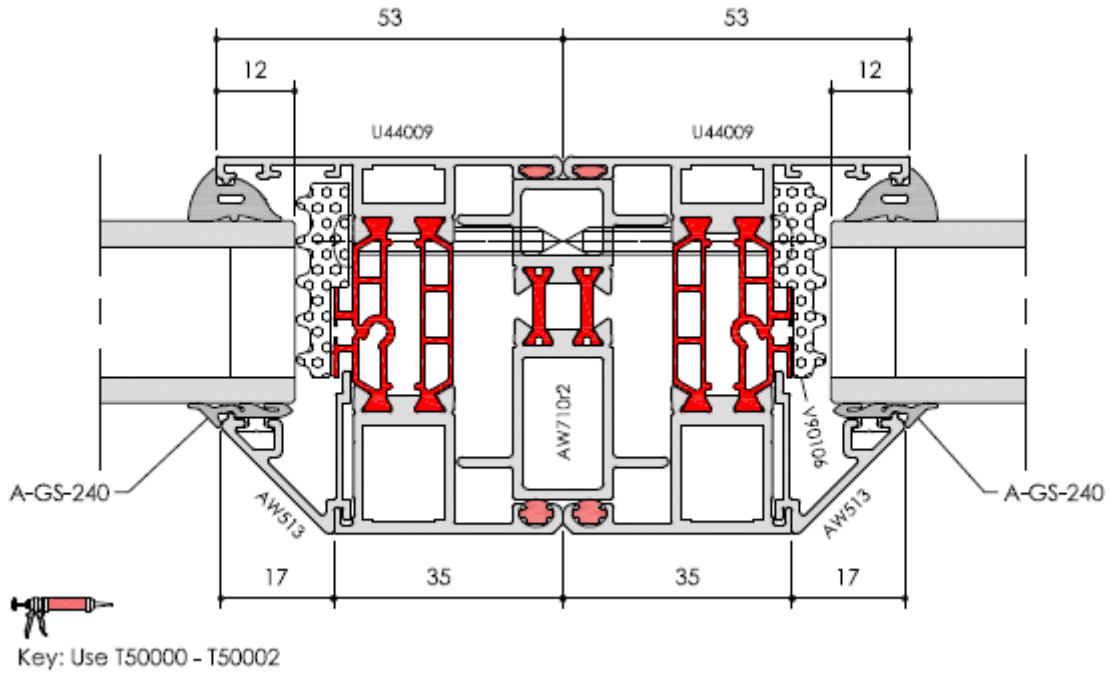
Drainage caps

- Drainage caps are used when frame is faced drained. These just clip into place.

Couplers and bay poles

When coupling the windows please see the images below to follow how they locate.

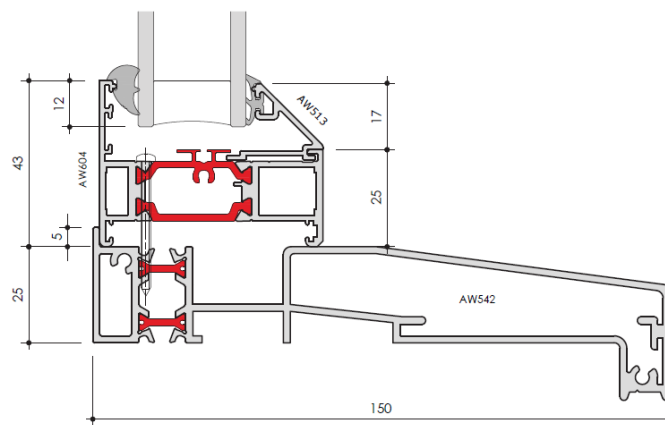
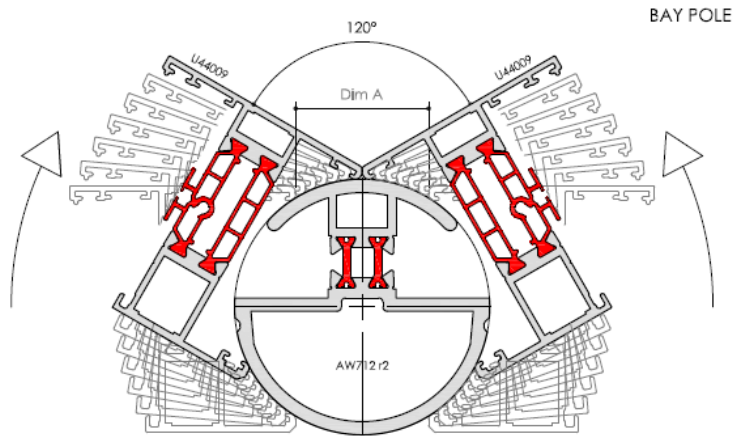
- Concealed couplers (1st image) need to go inside the outer frame.
- Foam will need to be removed for this.
- Silicon applied where shown in red, either side of coupler.
- For any other type of coupler, its not necessary to remove the foam (2nd image).



Couplers and bay poles

When using the bay poles please see the images below to follow how they locate.

- Remove foam so the bay poles can sit inside of the frame.
- Frame should be sitting on the inside edge of the cil lip (2nd image).
- Poles should be at each junction above the cil.
- Fix straight into the pole.

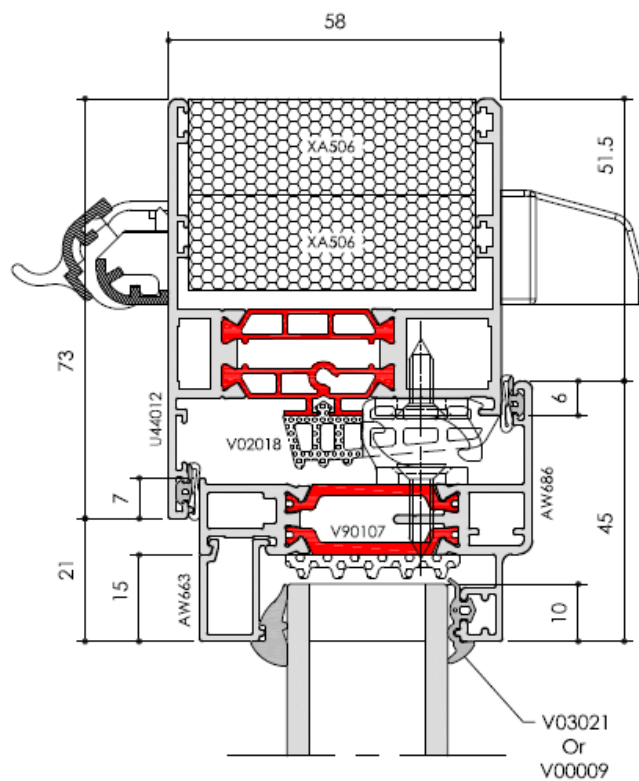


BAY POLES ARE NTO LOAD BEARING. FOR MORE INFORMATION PLEASE CONTACT US.

Trickle vents

Trickle vents are located inside the window sash. They go in an extended outer frame at the top.

- Locate the slots and trickle vents and remove foam if obstructing the air flow.
- Screws are provided to fix the trickle vent into place.
- Once in place, cap are added to either end to hide fixings.



7.FINISHING TOUCHES

- Check that the handles and locking mechanisms operate smoothly on each WINDOW.
- Check the OPENING action is smooth and free running.
- Check that the locks engage correctly when closed.
- Check caps are all present and that there are no screws missing.
- Check the weather seals and ensure that the windows are fully sealed with no visible gaps.
- Clean the bottom frame and ensure it is free of any debris.
- Ensure that the homeowner is instructed and knows exactly how to use and look after the windows.

8.OPERATION AND MAINTENANCE

a. Opening and closing operation for windows.

To open doors

- Unlock the window by turning the key
- Release the locking mechanism by rotating the handle upwards.
- Push the window open using the handle.

To close doors

- Pull the window closed using the handle. Ensure the sash is pushed tight against the frame.
- Engage the locking mechanism rotating the handle downwards.
- Lock the window by turning the key.

b. Maintenance

- Ensure top and bottom frame are kept clean and free of any debris or foreign objects that can stop the water from draining
- Ensure all window locking mechanisms are kept clean and any moving parts are regularly lubricated with light machine oil at least once a year.
- Powder coated aluminium profiles should be cleaned with warm water and mild household detergent at least once a year.